

PosiTector® 6000 Series

Coating Thickness Gages for **ALL** Metal Substrates



DeFelsko®
The Measure of Quality



Available on the
App Store



PosiTector® 6000 Series

All Gages Feature...

Simple

- Ready to measure—no adjustment required for most applications
- Enhanced one-handed menu navigation
- Flashing display—ideal in a noisy environment
- RESET feature instantly restores factory settings

Durable

- Solvent, acid, oil, water and dust resistant—weatherproof
- Wear-resistant probe tip
- Shock-absorbing, protective rubber holster with belt clip
- Two year warranty on gage body AND probe

Accurate

- Certificate of Calibration showing traceability to NIST or PTB included
- Built-in temperature compensation ensures measurement accuracy
- Hi-RES mode increases displayed resolution for use on applications that require greater precision
- Conforms to national and international standards including ISO and ASTM

Versatile

- PosiTector body universally accepts all PosiTector 6000, 200, RTR, SPG, DPM and UTG probes easily converting from a coating thickness gage to a surface profile gage, dew point meter or ultrasonic wall thickness gage
- Multiple calibration adjustment options including 1 point, 2 point, known thickness, average zero
- Selectable display languages
- Hi Contrast backlit display for bright or dark environments
- Flip Display enables right-side-up viewing
- Extended cables available (up to 75 m/250 ft) for remote measuring
- Uses alkaline or rechargeable batteries (built-in charger)

Powerful

- Continually displays/updates average, standard deviation, min/max thickness and number of readings while measuring
- Screen Capture—save screen images for record keeping and review
- HiLo alarm audibly and visibly alerts when measurements exceed user-specified limits
- FAST mode—faster measurement speed for quick inspection
- USB port for fast, simple connection to a PC and to supply continuous power. USB cable included
- PosiSoft USB Drive—stored readings and graphs can be accessed using universal PC/Mac web browsers or file explorers. No software required
- Every stored measurement is date and time stamped
- Software updates via internet keep your gage current
- Connects to PosiSoft.net (see far right panel)

Probes available for a variety of applications



For measuring paint, powder, etc. on all metals...



...and for measuring galvanizing, plating, anodizing and more.

Standard Models

Includes ALL features as shown on left plus...

- Monochrome display with transfective technology enhances sunlight readability
- Storage of 250 readings—stored readings can be viewed or downloaded

Advanced Models

Includes ALL features as shown on left plus...

- Hi Contrast reversible color LCD
- Storage of 100,000 readings in up to 1,000 batches and sub-batches
- Onscreen help, real time graphing, picture prompting and more
- Batch annotation—add notes and change batch names with onscreen QWERTY keyboard
- WiFi technology wirelessly synchronizes with PosiSoft.net, downloads software updates and connects with mobile devices for expanded functionality
- Data transfer via USB to a PC or via Bluetooth® Wireless Technology to a PC or printer
- Scan mode—take continuous readings without lifting the probe
- Multiple stored calibration adjustments for measuring on a variety of substrate conditions
- SSPC-PA2 feature determines if film thickness over a large area conforms to user-specified min/max levels
- PSCP 90/10 feature determines if a coating system complies with an IMO performance standard for protective coatings

NEW PosiTector SmartLink

- Wirelessly connect PosiTector 6000 probes to your smart device
- Turns your cell phone or tablet into a virtual PosiTector gage
- For a complete list of features visit www.defelsko.com/SmartLink



Select from a variety of measurement ranges and probe styles

(see back page ordering guide)

Heavy-duty, gold-plated locking connector for industrial environments



Separate Probe Style



Built-in Probe Style

Removable Probes can be detached and replaced with any one of our wide variety of probes including separate probes and microprobes



FKS

90°

0°

45°

Regular

Rugged Features...

Sealed USB Port
for communicating
with a PC or Mac

Water and dust
resistant

WEATHERPROOF

Hi resolution color LCD

Scratch/solvent/impact
resistant lens

Multi-function
navigation button

Solvent, acid, oil
resistant, high grade,
industrial strength
housing

**Advanced
Model shown
in Memory Mode**

Quality high-flex
cable and strain relief

Stainless steel probe
with knurled finger grip

Strong wear-resistant
ruby-tipped probe

All Regular Separate Probes
are suitable for underwater use



Standard model shown in Statistics Mode with shock-absorbing, protective rubber holster



NEW! Xtreme Probe Series with Alumina wear face for rough or hot surfaces



Flip Display enables right-side-up viewing



Microprobe series for small parts and hard-to-reach areas



PosiSoft® ... FREE SOLUTIONS for viewing, analyzing and reporting data:

PosiSoft USB Drive Connect to a PC/Mac using the supplied USB cable to access and print stored readings, graphs, photos, notes and screen captures. No software or internet connection required.



PosiSoft.net A web-based application offering secure centralized management of PosiTector readings. Access your data from any web-connected device.



PosiSoft Software Newly updated version 3.0 desktop software for PC or Mac. Available as a free download.

PosiSoft Mobile Access readings, graphs, capture photos and update annotations using WiFi enabled devices such as tablets, smart phones and computers. (Advanced models only)



Available on the
App Store



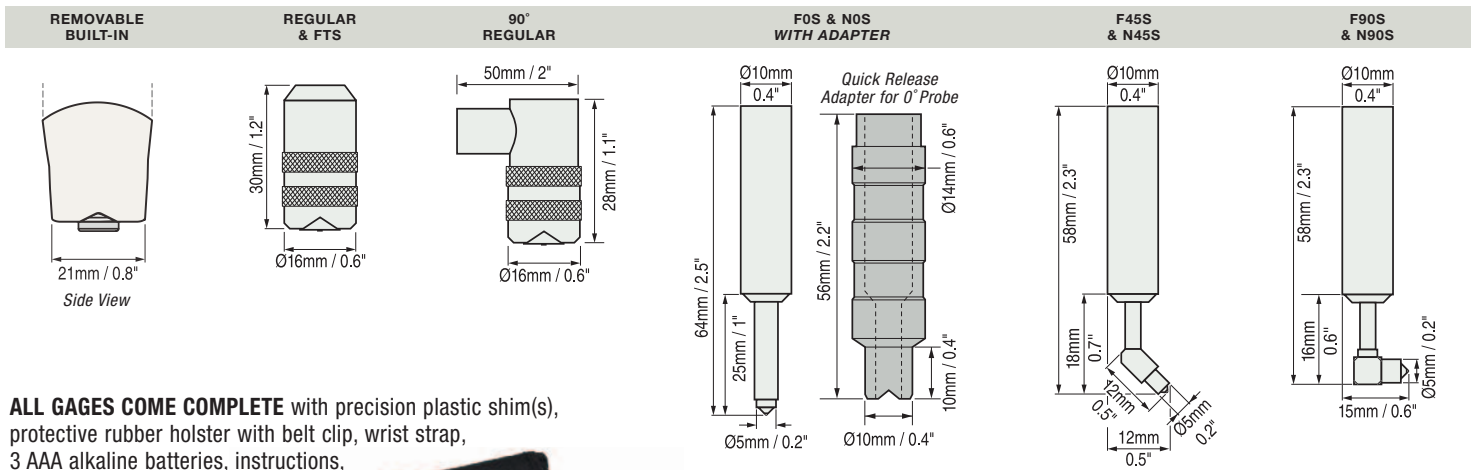
PosiTector bodies accept all 6000, 200, RTR, SPG, DPM and UTG probes



PosiTector® 6000 Series ORDERING GUIDE		Our most popular Removable Built-in and Regular Separate probe models				Ideal for anodized aluminum			Microprobes – Our smallest probes for small parts or hard-to-reach areas			Removable Built-in and Separate probes for thick protective coatings; epoxy, rubber, intumescent fireproofing and more							
FERROUS PROBES	Standard	F1	FS1	FXS1*	FRS1		F0S1	F45S1	F90S1	FT1	FTS1	FHXS1*	FKS1	FLS1					
	Advanced	F3	FS3	FXS3*	FRS3		F0S3	F45S3	F90S3	FT3	FTS3	FHXS3*	FKS3	FLS3					
NON-FERROUS PROBES	Standard	N1	NS1		NRS1	NAS1	N0S1	N45S1	N90S1				NKS1						
	Advanced	N3	NS3		NRS3	NAS3	N0S3	N45S3	N90S3				NKS3						
COMBINATION PROBES	Standard	FN1	FNS1		FNRS1						FNTS1				FNGS1**				
	Advanced	FN3	FNS3		FNRS3						FNTS3				FNGS3**				
Range		0–60 mils 0–1500µm				Ferrous: 0–45 mils and 0–1150µm Non-Ferrous: 0–25 mils and 0–625µm				0–250 mils 0–6 mm		0–400 mils 0–10,000µm		0–500 mils 0–13 mm		0–1.5 inches 0–38 mm		0–2.5 inches 0–63.5 mm	
Accuracy†		±(0.05 mil+1%) 0–2 mils ±(0.1 mil+1%) >2 mils ±(1µm+1%) 0–50µm ±(2µm+1%) >50µm				±(0.02 mil+1%) 0–4 mils ±(0.1 mil+3%) >4 mils ±(0.5µm+1%) 0–100µm ±(2µm+3%) >100µm				±(0.5 mil+1%) 0–100 mils ±(0.5 mil+3%) >100 mils ±(0.01 mm+1%) 0–2.5 mm ±(0.01 mm+3%) >2.5 mm		±(0.1 mil+3%) ±(2µm+3%)		±(1 mil+3%) ±(0.02 mm+3%)		±(0.01 in.+3%) ±(0.2 mm+3%)			
Matching DeFelsko Calibration Standards		STDS1 STDA1				STDS2 STDA2				STDP1		STDP7		STDP5		STDP8		STDP8 (included)	

Ferrous probes measure non-magnetic coatings on ferrous metals. **Non-Ferrous probes** measure non-conductive coatings on non-ferrous metals. ***Xtreme probe series** with Alumina wear face. Ideal for rough or hot surfaces up to 250° C (500° F). ****FNGS probe** measures non-conductive coatings on all metals. †Accuracies are stated as a fixed value plus a percentage of the gage's actual reading.

Probe Details (All probe details can be found online at www.defelsko.com/p6000/probes)



ALL GAGES COME COMPLETE with precision plastic shim(s), protective rubber holster with belt clip, wrist strap, 3 AAA alkaline batteries, instructions, protective lens shield, convenient carrying case, Long Form Certificate of Calibration traceable to NIST or PTB, USB cable, PosiSoft.net account, two (2) year warranty.

SIZE: 137 x 61 x 28 mm
(5.4" x 2.4" x 1.1")

WEIGHT: 140 g (4.9 oz.)
without batteries

Conforms to ISO 2178/2360/2808,
ISO 19840, ASTM B499/D1186/
D1400/D7091/E376/G12, BS3900-C5,
SSPC-PA2 and others



Options

Coating Thickness Standards to fulfill both ISO and in-house quality control requirements

Extended Cables for under-water or remote measuring. Specify length when ordering.



For a complete list of product features and available options visit www.defelsko.com



DeFelsko Corporation • 802 Proctor Ave. • Ogdensburg, New York 13669-2205 USA
Toll Free 1-800-448-3835 • Tel: +1-315-393-4450 • Fax: +1-315-393-8471
techsale@defelsko.com • www.defelsko.com



PosiTector® *SmartLink*

Wirelessly connect PosiTector probes to your smart device



*A Smart New Way to Measure:
PosiTector SmartLink and free mobile
app turns your cell phone or tablet
into a virtual PosiTector gage*

Made for
iPod iPhone iPad

Made for
Android™

DeFelsko®
The Measure of Quality

PosiTector® SmartLink

Wirelessly connect PosiTector probes to your smart device.

A Smart New Way to Measure

PosiTector SmartLink and free mobile app turns your cell phone or tablet into a virtual PosiTector gage

- Intuitive easy-to-use touch screen operation
- Every reading is instantly transmitted to your smart device
- Tri-color LED provides immediate feedback in dark and noisy environments
- Accepts coating thickness, environmental and surface profile probes
- Lightweight and compact design—uses one AAA battery

Unprecedented Mobile Integration (No internet connection required)

Take full advantage of the simplicity and utility of your smart device including touch screen, keyboard, microphone, camera, email, WiFi, Bluetooth, cellular, dictation tools and more

- Auto-pairing Bluetooth Low Energy connection works up to 10m away (30 feet)
- Create and save professional PDF reports quickly and easily
- Add images to individual readings or batches using the camera or area within an image*
- Annotate images using drawing tools— ideal for identifying a specific location or area within an image
- Rename batches and add notes using the keyboard or microphone
- Real time graphing and statistical analysis with the swipe of a finger

Seamless Online Integration with an Internet Connection

Share, backup, synchronize and report measurement data via email, apps and the cloud

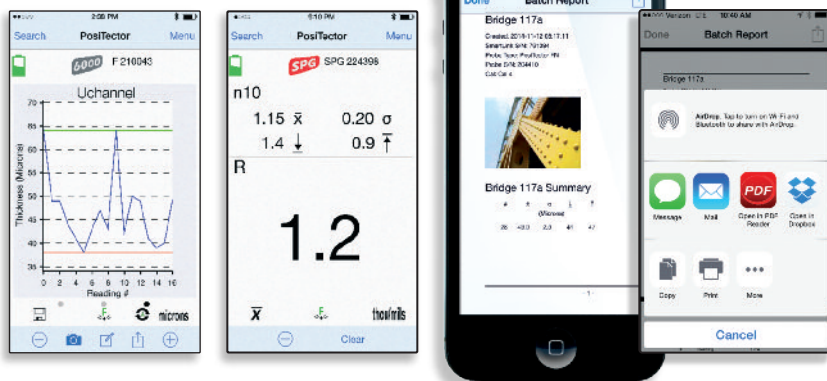
- AutoSync mode instantly backs up every reading to the cloud*—No account required!
- Restore data from the cloud to any smart device—add readings, notes and images
- Live synchronization with your PosiSoft.net account*
- Share professional PDF reports and CSV data instantly via email, Dropbox, AirPrint™ or other applications on your device

*iOS only



PosiTector SmartLink instantly transmits every reading to your smart device.

Share professional PDF reports and CSV data instantly via email, Dropbox, AirPrint™ or other applications on your device.



Quick Connect



Coating Thickness



Surface Profile



Surface Profile



Environmental Conditions

PosiTector SmartLink accepts PosiTector 6000, SPG, RTR-H, and DPM probes easily converting to a coating thickness gage, surface profile gage or dew point meter.

SmartLink Comes Complete with free PosiTector App, AAA battery, protective rubber holster, belt clip, wrist strap, instructions, two (2) year warranty. Probes purchased separately.

DeFelsko®
The Measure of Quality

DeFelsko Corporation ■ 800 Proctor Ave. ■ Ogdensburg, New York 13669-2205 USA
Toll Free 1-800-448-3835 ■ Tel: +1-315-393-4450 ■ Fax: +1-315-393-8471
techsale@defelsko.com ■ www.defelsko.com

